



THE BLUE OX™ CABLE PULLER

POWER CABLE INSTALLATION

The Blue Ox™ Cable Puller

Combining years of experience, field research and end user feedback, The Condux Blue Ox™ Cable Puller has been designed to excel in the most demanding utility applications. Featuring 8,500 lbs of continuous pull force, a heavy duty steel frame and hydraulically controlled boom and outriggers, The Blue Ox does not require the arm to be supported during pulling operations. The extendable - up to 90" - steel boom arm boasts 150° of lateral adjustment, providing easy access in even the most confined areas.

Part Number	Description
08773001	The Blue Ox Cable Puller without Compressor
08775500	The Blue Ox Cable Puller with Compressor

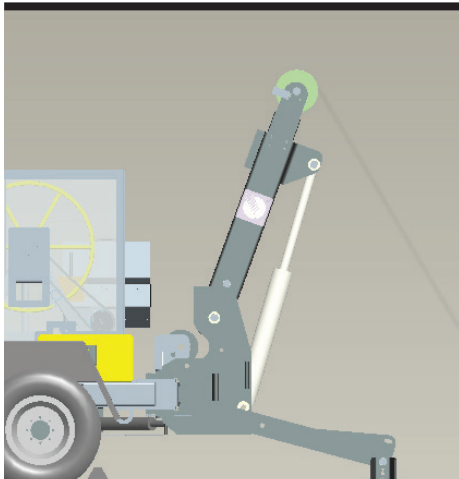
NYLATRON* ROLLERS have a super-hard surface and last longer than conventional cast rollers.

*Nylatron is a registered trademark of DSM.

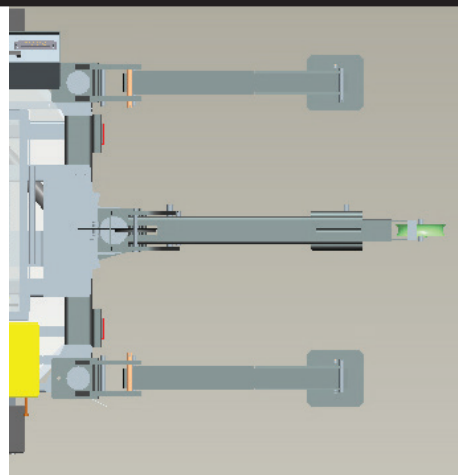
HEAVY DUTY Outriggers for maximum stability

SELF SUPPORTED BOOM ARM 150° lateral movement and 85° vertical movement.

ANTI-TWIST ROPE 3,000' of 3/8" rope comes standard with The Blue Ox.



The Boom Arm features the ability to pull 85° from the manhole; eliminating the need for an A-Frame.



Outriggers allow The Blue Ox to pull directly over the hydraulics without being hooked to a tractor or a truck.



THE BLUE OX™ CABLE PULLER



POWER CABLE ISNTALLATION

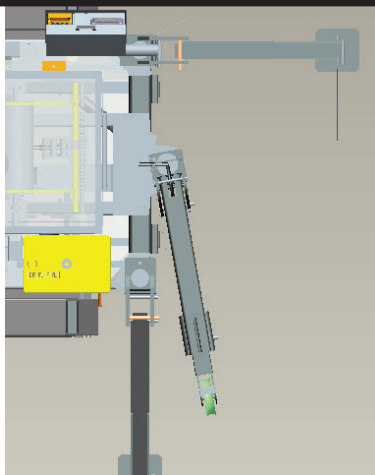
OIL COOLER Hydraulic puller units with oil cooler provide a smooth operation throughout the pull.

TOOL BOX Fully enclosed unit to store any necessary tools for the jobsite.

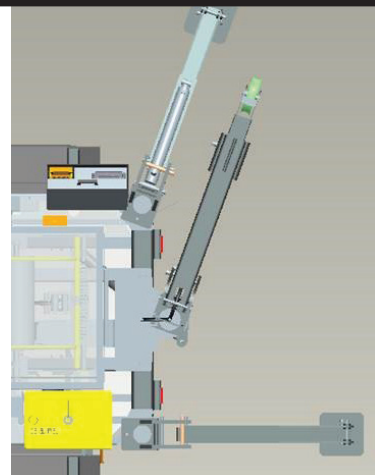
ELECTRONIC BRAKING SYSTEM with a 7 pin round connector

TOOL CIRCUIT for running additional hydraulic tools.

HYDRAULIC JACKS are easy to use and improve set up time.



The combination of the outrigger and the boom arm allows for easy pulling 75° from the right or left of center





THE BLUE OX™ CABLE PULLER

POWER CABLE INSTALLATION



7" COLOR DISPLAY
gives all of the information
you need during the pull



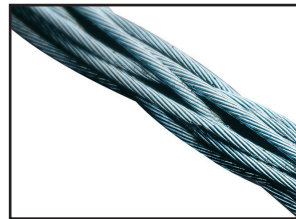
WIRELESS REMOTE
with 50' range provides
flexibility for the installer.

Control Box

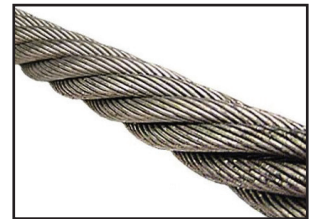
- Real Time Tension Monitoring
- Downloadable Pull Data
- Wireless/Bluetooth Remote Control

Replacement Rope

Part Number	Description
08771275	3/8" x 2450' Antitwist Rope with woven eye
08773112	3/8" x 3000' Antitwist Rope with woven eye
08773189	3/8" x 2600' IWRC 6x25 Rope with eye
08773190	3/8" x 3000' IWRC 6x25 Rope with eye
08773196	3/8" x 3600' IWRC 6x25 Rope with eye



Antitwist Rope



IWRC Rope

Replacement Parts

Part Number	Description
02291362	Hitch Pin (Outrigger - up/down)
08772016	Clevis Pin with Cotter Pin (Outrigger - left/right)
08772017	Clevis Pin with Cotter Pin (Boom Arm)
08773084	Clevis Pin with Cotter Pin (Foot pin)
08773317	Levelwind Brass Pawl
08773020	Remote and Receiver Kit
02292756	Replacement Remote Only (requires original black chip)
08773110	18gal Fuel Tank Upgrade Kit (to aluminum tank)

For a list of replacement filters, visit condux.com



THE BLUE OX™ CABLE PULLER



POWER CABLE ISNTALLATION

THE BLUE OX™ CABLE PULLER SPECIFICATIONS		
	Standard	w/Compressor
Performance		
Maximum Line Pull (lbs)	8,500	
Maximum Speed (fpm)	175	
Engine		
Engine Type	Diesel	
Horsepower	49	74
Electrical System	12 volt	
Fuel Tank (g)	18	22
Bullwheel		
Dimensions	8 inch diameter with 7 grooves	
Rope Reel w/Built in Level Wind		
Antitwist Rope	3000 feet of 3/8 inch	
Hydraulics		
Tool Circuit	7 gpm @ 2000 psi	
Dimensions		
Width	95 inches	
Height	108 inches	
Length	192 inches	
Weight	9,000 Pounds (Wet)	10,500 Pounds (Wet)
Axle	Single	
Air Compressor		
Velocity	210 cfm @ 125 psi	
Compressor Hose with Couplings	3/4" x 50' air hose reel	

