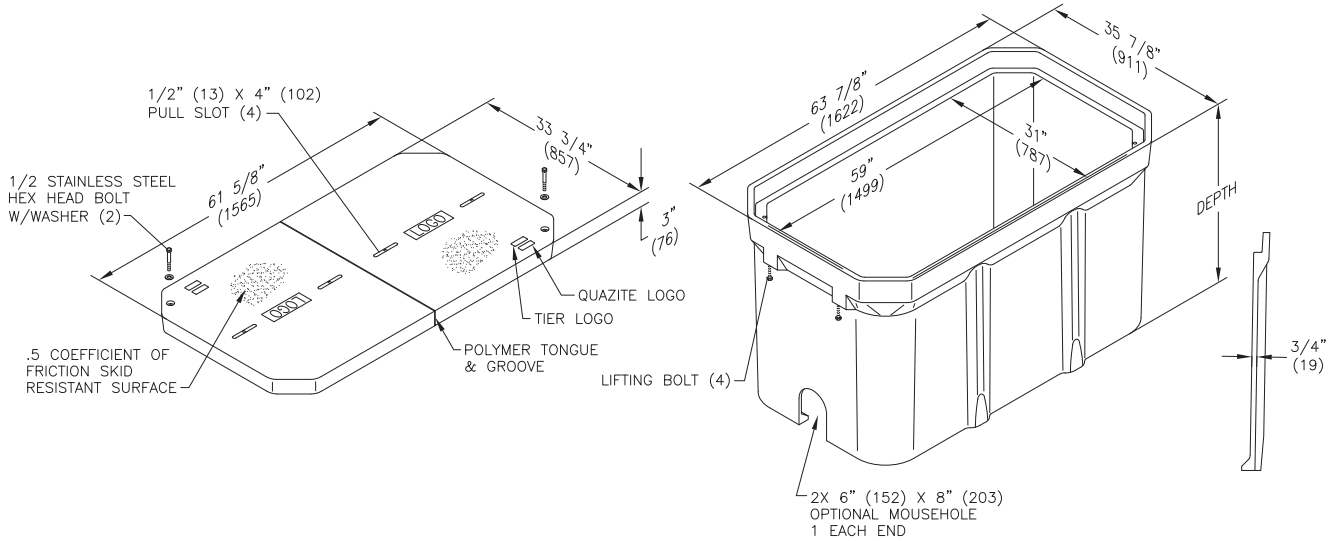


Dimensions / Data

30" x 60" PG Style Polymer Concrete (Stackable) Assembly

Hex Head Bolts are Standard



Covers

DESCRIPTION	TIER	DESIGN / TEST LOAD #	WEIGHT #	PALLET QTY	PART NO.
Lightweight 2 Bolts	5	5,000 / 7,500	228	10	LG3060CA00**
W/ 2 Bolts	15	15,000 / 22,500	346	10	PG3060HA00**
W/ 2 Bolts	22	22,500 / 33,750	368	10	PG3060HH00**
Lightweight No bolts	5	5,000 / 7,500	228	10	LG3060WA00**

Replace ** with a logo code found on page 60. See page 65 for meter and touch/radio read cover options.

Boxes (Box depths 30" and 36" must be used as bottom of any stack)

DESCRIPTION	DEPTH	TIER	DESIGN / TEST LOAD #	WEIGHT #	PALLET QTY	PART NO.
Standard Open Bottom	21"	22	22,500 / 33,750	350	4	PG3060BA21
	30"		22,500 / 33,750	492	3	PG3060BA30
	36"		22,500 / 33,750	565	2	PG3060BA36
Solid Bottom	21 1/2"	22	22,500 / 33,750	420	4	PG3060DA21
	30 1/2"		22,500 / 33,750	532	3	PG3060DA30
	36 1/2"		22,500 / 33,750	601	2	PG3060DA36

To order boxes with 2 standard mouseholes, replace the letter "A" with the letter "B".